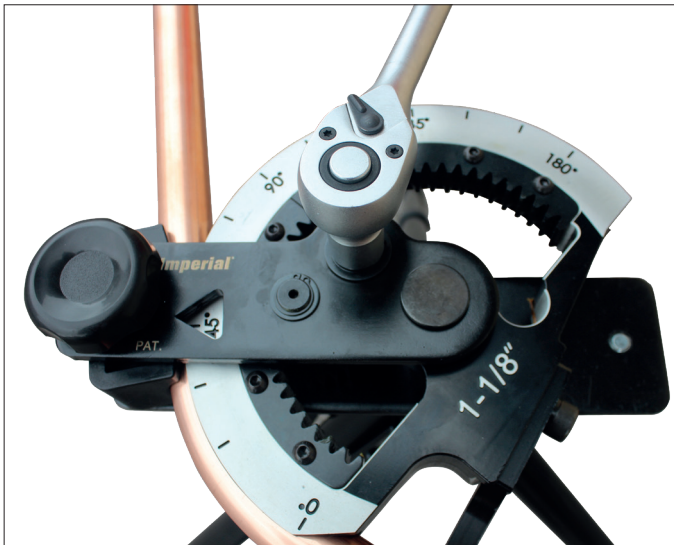




## 270-F-18 - 1-1/8 OD GEAR BENDER



1-1/8" O.D. tubing for bending soft and half-hard copper, aluminium brass, steel and other tubing and pipe which had been tempered and is suitable for bending.

**NB: WE RECOMMEND USING THE IMPERIAL TRIPOD (IMP-270-TRIPOD) WITH THIS BENDER. PLEASE NOTE IMPROPER USE OR MOUNTING COULD DAMAGE THE BENDER AND WILL INVALIDATE THE WARRANTY.**

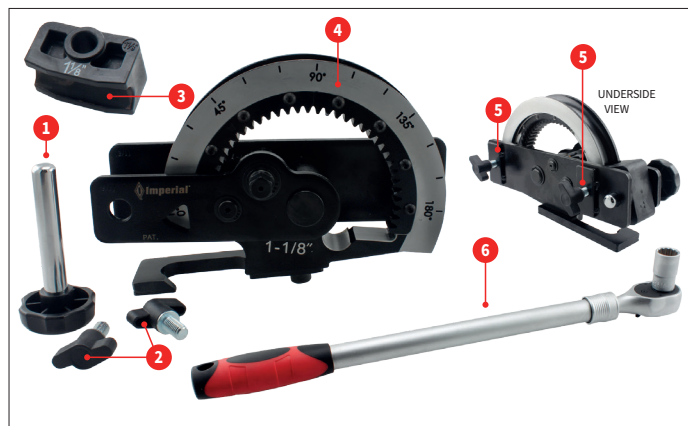
**WARNING: THERE IS RISK OF INJURY IF YOU DO NOT KEEP YOUR HANDS AWAY FROM THE CENTRAL GEAR MECHANISM!**

## FEATURES

- For 1-1/8in. O.D. tubing
- Full 180° bending radius without repositioning
- Four internal main gears which maximizes engagement and reduces gear slippage producing wrinkle free bends



## PARTS



1. Locking pin
2. Securing screws
3. Guide
4. Gear bender

5. Mounting points
6. Ratchet wrench (extendable)

## SPECIFICATIONS

Code	Item
IMP-270-18-GEARBEND	270-F-18 - 1-1/8 OD gear bender only
IMP-270-TRIPOD	Imperial tripod for gear bender
IMP-270-18-KIT	270-F-18 - 1-1/8 OD gear bender with tripod

**TOOLS**  
**IMP-270-18-GEARBEND**  
 GEAR-TYPE TUBE BENDER

**DIVERSITECH**  
 INTERNATIONAL

The DiversiTech International sales team are available to answer your questions or queries on this product. Our experts are waiting for your call +44 (0)115 900 5858 or if you prefer send an email to [sales@diversitech.com](mailto:sales@diversitech.com) or visit [www.diversitech.global](http://www.diversitech.global)